



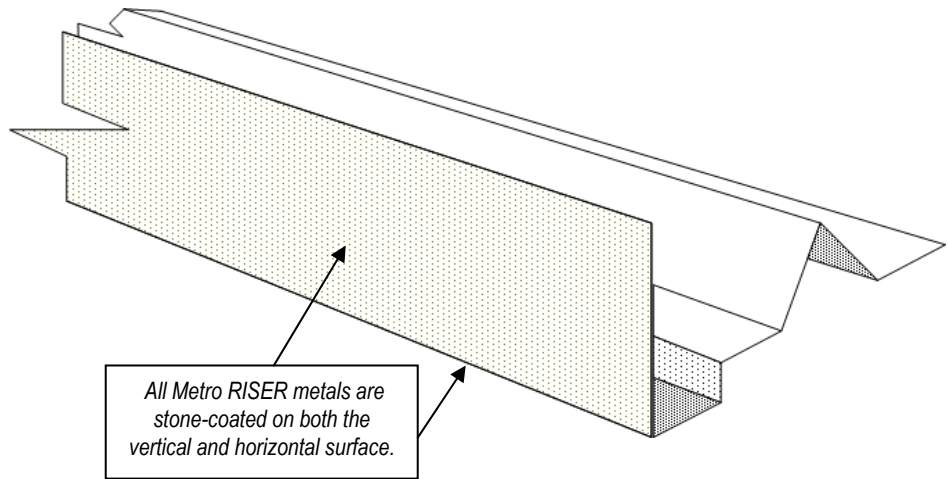
MetroNews

Tuesday June 26, 2007

NEW

Shake-Tile 'V'-Batten Riser Metal flashing

Our Shake-Tile Riser metal flashing has been upgraded to the new 'Shake-Tile V-Bat Riser metal', incorporating a panel support V-Batten that eliminates the need for a costly 1X4 wood batten to be used across the fascia-eave to support the panel.



This new part eliminates the need for the fascia support batten and the labor to install it. The new Shake-Tile V-Bat Riser Metal can now be installed after perimeter flashing & underlay inspections, prior to panel install. The new 'Shake-Tile V-Bat Riser Metal' flashing in standard stone-coat colors will be in production during June-July 2007.

The new part number is noted below.

ITEM X LENGTH	PN-# - XX = Color	INVOICE INFO
Existing Shake-Tile Riser Metal Flashing X 79"	3133-XX	
NEW 'Shake-Tile V-Bat Riser Metal' Flashing X 79"	3132-XX	'Shake-Tile V-Bat Riser'

Metro will carry a small quantity of the old shape as we transition to this new version. We can match or make-up inventory quantities to fulfill job lots as needed. Make sure you define which parts you need especially if you are matching to your inventory for job-lots.

Due to the differences between each part it's recommended that you do not mix the two in inventories or on job-lots.

Metro Roof Products
3093 'A' Industry Street
Oceanside CA 92054

Toll Free:
(866) METRO-4U
PH: (760) 435-9842
Order FX: (760) 435-1162
General FX: (760) 435-9412

www.metroroofs.com