



MetroNews

Revised – Thursday May 21st, 2009

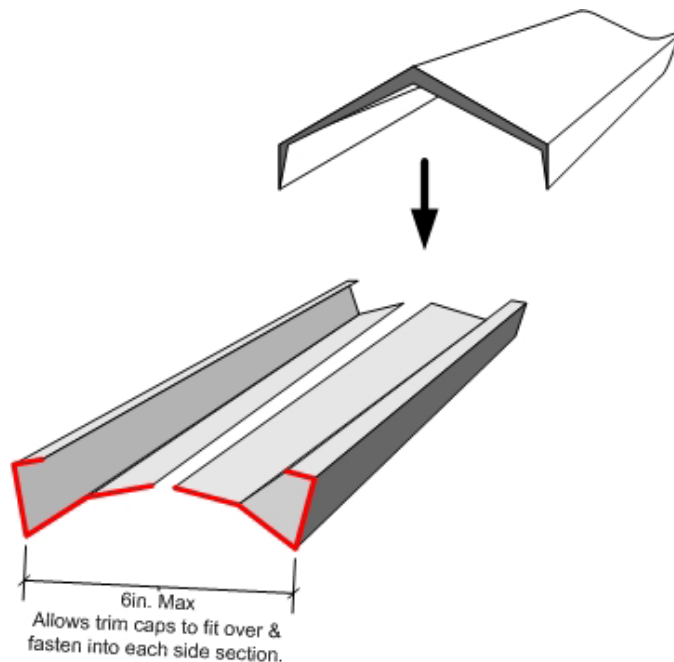
SMART-Accessories Added

The SMART-Accessory line has been expanded with two new parts that are designed to revolutionize the install process of MetroSHAKE™, MetroTILE™, & MetroROMAN™ profiles.

Metro SMART-Accessory Batten – PN-# 324107
(Use with MetroSHAKE™ & MetroTILE™ Only!)

This part allows MetroSHAKE™ & MetroTILE™ panels to be installed in the same manner as MetroSHINGLE™ on the Hip & Ridge areas of a roof – No Bending of the panels is needed. Eliminating the time to measure and bend the panels. The SMART-Accessory Batten comes in 120-inch lengths and requires two (2) pieces for every 10-feet of hip / ridge. (Refer to the attached info sheet on this new part).

A strip of butyl is required over the butted or overlapped panels prior to positioning the SMART-Batten on the Hip or Ridge.



Metro Roof Products
3093 'A' Industry Street
Oceanside CA 92054

Toll Free:
(866) METRO-4U
PH: (760) 435-9842
Order FX: (760) 435-1162
General FX: (760) 435-9412

www.metroroofs.com

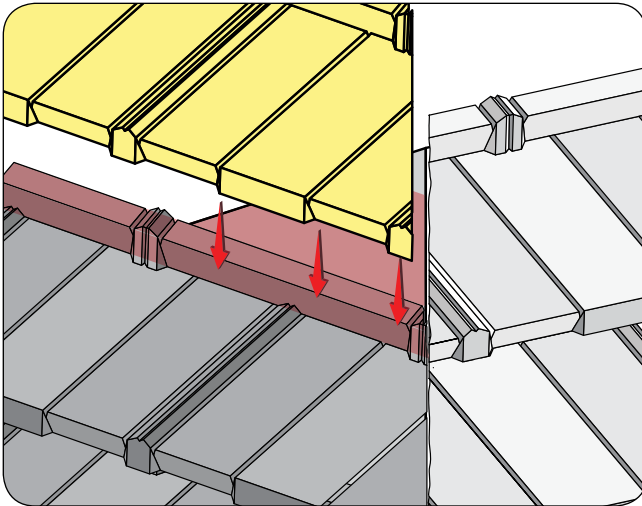


SMART Acc-Batten

Installation Details

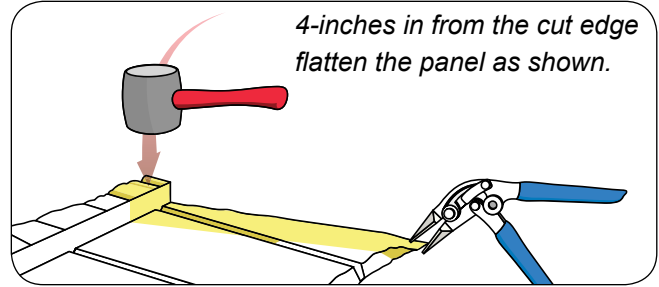
SMART ACCESSORY BATTEN

Use with MetroSHAKE™ and MetroTILE™ only!

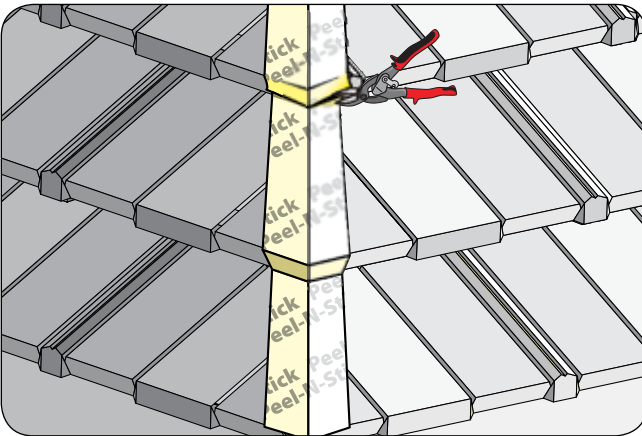


Metro SMART-Acc-Battens use 2-pieces per each 10-foot length of Hip or Ridge.

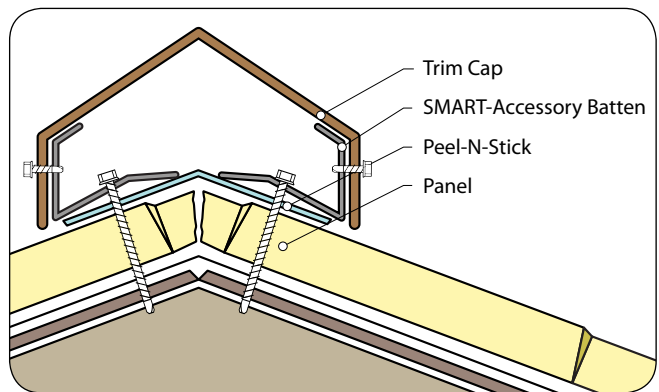
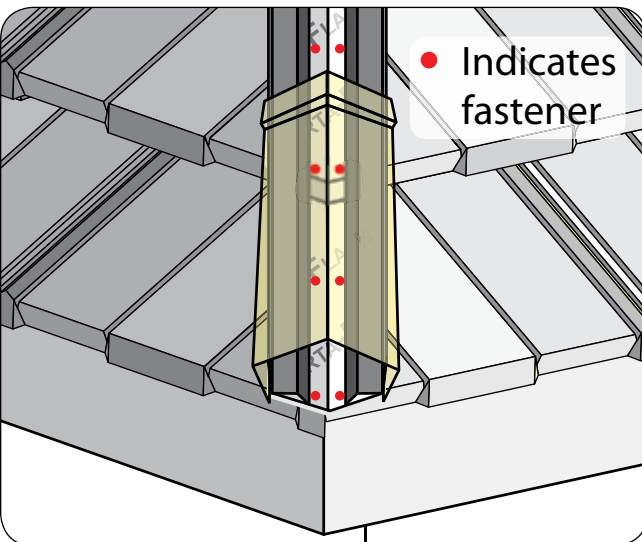
Install Metro Panels (Shake or Tile) and mitre cut each course at the center line of the Hip or Ridge as shown.




Apply a (min-4" wide) strip of Peel-N-Stick material down the entire length of the hip or across the ridge. make sure this material starts at the bottom of the hip and is lapped a Min of 4-inches. At each course line make sure the Peel-N-Stick material is pressed into and forms a complete seal down each side of the hip onto the Metro panels. It may be necessary to snip this material at each course to prevent gaps.



Install the Metro SMART-Acc-Battens down each side of the hip or ridge spaced 6-inches apart and fastened using #10-2" HH screws spaced 12-inches o/c minimum across the ridge or 2 on each course for the hip. As shown.



 *Continuous Ridge Venting cannot be used with the Metro SMART-Acc-Battens. Metro SMART-Vents on one side of the ridge may be used as an alternative.*





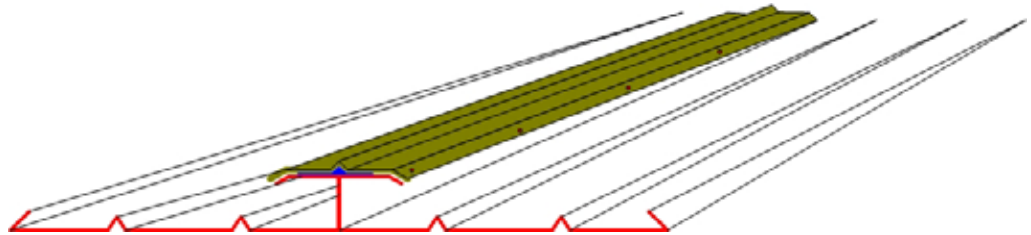
MetroNEWS

Revised – Thursday May 21st, 2009

Metro SMART-Valley – PN-# 324109

(Use with MetroSHAKE, MetroTILE™ & MetroROMAN™ Only!)

This part provides for Metro's easiest valley install for MetroTILE™, MetroROMAN™ & MetroSHAKE™ panels and consists of two 120-inch Bare Galvalume® pieces that are butted together to form an 18-1/2-inch wide Double 'V' Valley that will receive a strip of Butyl sealant down the centerline and then a Metro Valley Cover installed with stitch screws to finish it off. This new design allows the Metro panels (Shake, Roman Tile & Tile) to be easily inserted into the channel created by the SMART-Valley section and the Valley cover has a continuous straight & flat platform to be fastened to up the center of the valley. (Refer to the attached info sheet on this new part).



Two (2) SMART-Valley sections are butted together (tight) and fastened as a normal valley pan. A minimum 4-Inch wide strip of peel-n-stick is placed down the center line as shown to seal both sections, end laps are lapped a min., of 4-inches. The Metro Valley Cover (MRP-PN-#3124XX) that's sold separately is positioned over the two SMART-Valley sections and fastened in place using stitch screws through the outer flanges as shown.

NOTE:

When using the SMART-Valley with MetroROMAN™ Tile it may be necessary to paint the inside of the valley section to prevent the shiny Galvalume® from shining underneath the Valley Cover metal when viewing the roof from certain angles.

Metro Roof Products
3093 'A' Industry Street
Oceanside CA 92054

Toll Free:
(866) METRO-4U
PH: (760) 435-9842
Order **FX: (760) 435-1162**
General FX: (760) 435-9412

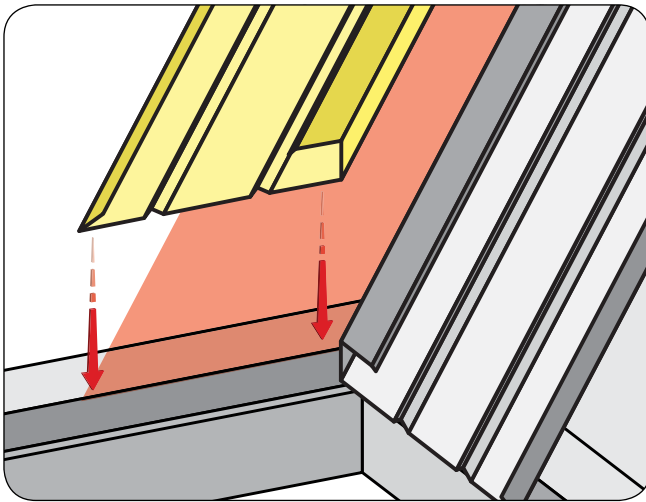
www.metroroofs.com



SMART-Valley

Installation Details

SMART-Valley Use with MetroSHAKE™, MetroTILE™ and MetroROMAN™ only!

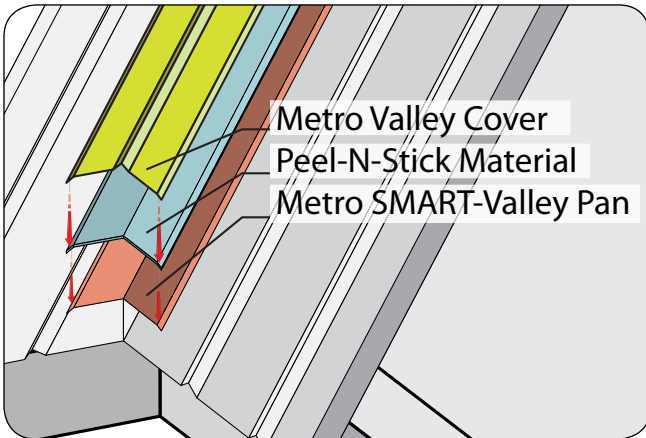


- Metro SMART-Valley consists of,
- a) 1-pc SMART-Valley (Use on left side)
 - b) 1-pc SMART-Valley (Use on right side)
 - c) 1-pc Valley Cover (Sold separately)

Metro SMART-Valley uses 2-pieces per each 10-foot length of valley.

Estimating formula: Lin-ft of Valley divided by $9.75 \times 2 = \#$ of SMART-Valley required.

Install each side of the SMART-Valley as shown, fastening as you normally do for a valley pan. Make sure the center is tightly butted together as shown below.



Install a strip (Min 4-inches wide) of Peel-N-Stick type material down the entire length of the valley over the center seam as shown. Install Metro Valley Cover over the center seam and stitch screw into position centered down the valley. Vertical laps for both the Peel-N-Stick and the Valley Cover are a min of 4-inches.

Mitre cut the Metro panels to the angle of the valley and install them into the trough created by the SMART-Valley section beneath the previously installed valley cover.



IMPORTANT NOTE:

When using the SMART-Valley with Metro Roman Tile it may be necessary to paint the inside of each valley pan section to prevent the inside surface from shining when viewing the roof from certain angles.

